

RDk Automatics with CDRouter

Radhika Sudhakaran, **Software Developer, RDk Test Team**

Prithivraj Ponnusamy Selvamani, **Development Engineer, RDk Test Team**

WEBINAR SPONSORED BY

5VVideo.

arcadyan


BEEGOL

//consult.red

DTVKit

3CS
RECRUITMENT SPECIALISTS

Gemtek  hitron

HUMAX
NETWORKS

Infosys®

irdeto


L&T Technology Services

 metrological
A COMCAST COMPANY

Sagemcom

SERCOM

SKYWORTH

TATA ELXSI

TV2Z

vantiva 
Pushing the edge

Agenda

- ✓ RDK Automatics Overview
- ✓ CDRouter Overview
- ✓ Integration
- ✓ Architecture
- ✓ Network Configurations
- ✓ Demo
- ✓ Advantages



RDK Automatics

- Fully integrated test automation system to support functional & non-functional testing for RDK
- End to End system is designed to support fast-paced DevOps model
- Support to execute test scripts based on Java, Python and PyTest
- Support for scriptless automation
- Integration with various software tools like Candela Jira, ALM, Grafana, Backtrace.io etc
- Automated results collection for result analysis and defect creation



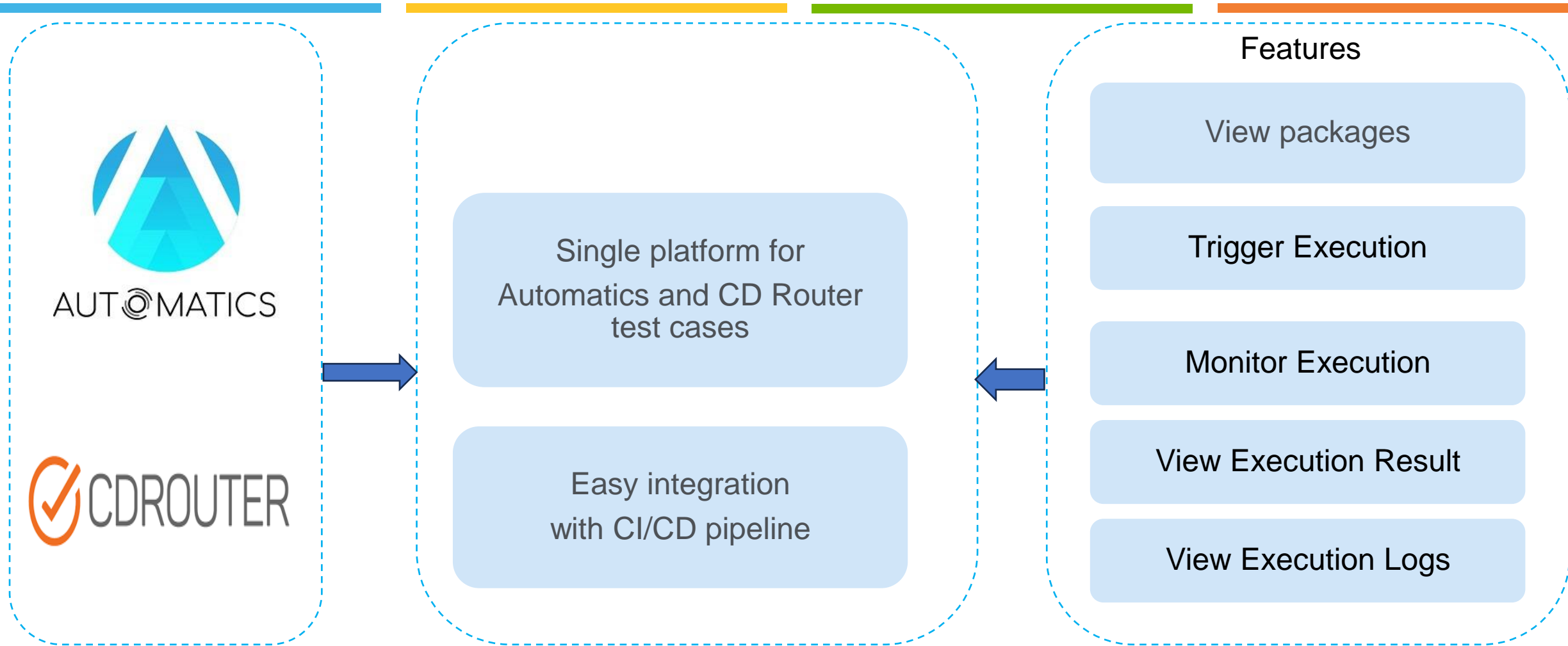
AUT@MATICS

CDRouter Overview

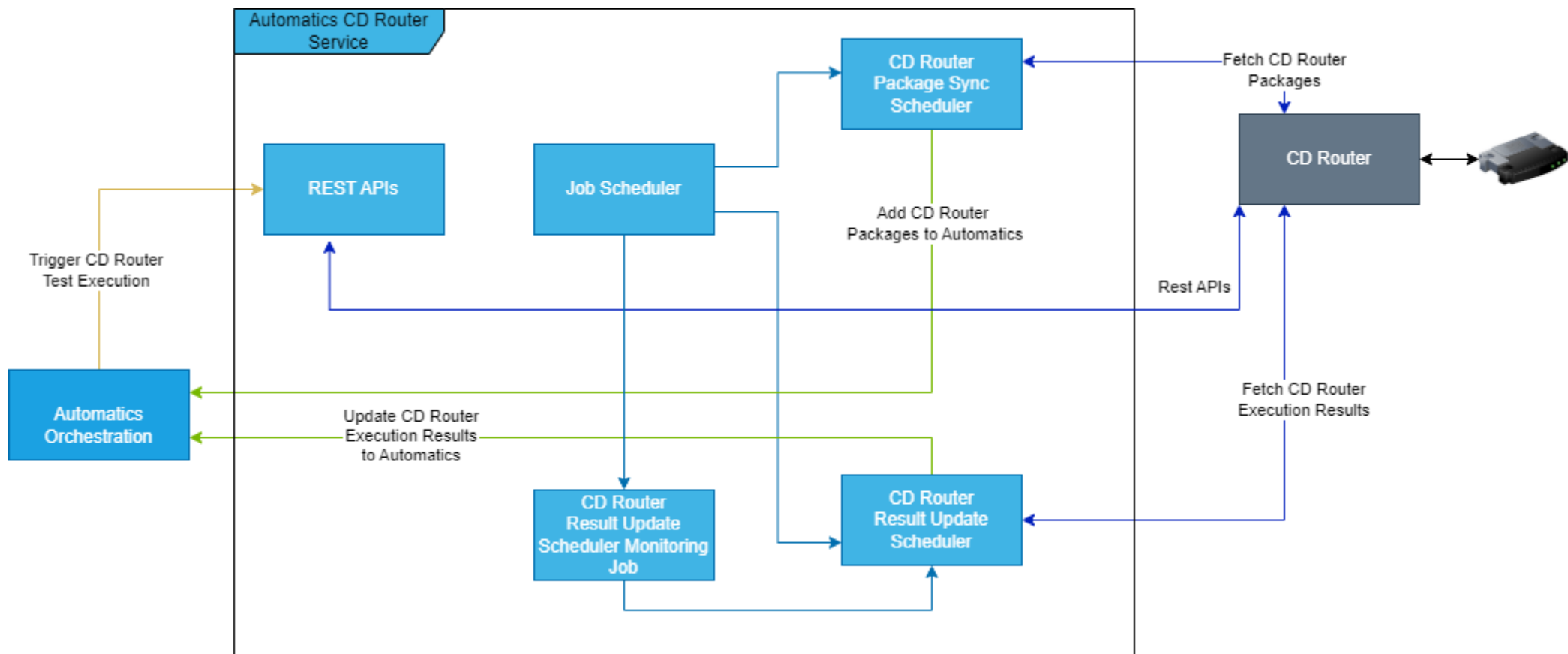
- Test platform for CPE devices from QA Cafe
- CPE devices – Broadband Routers, Wifi Routers and more
- Thousands of ready-to-run test cases
- Test Types - functional, conformance, negative, denial of service, scaling etc
- Automated test environment by emulating an ISP connection, LAN clients, exercising different protocol and traffic flows etc



RDK Automatics CDRouter Integration

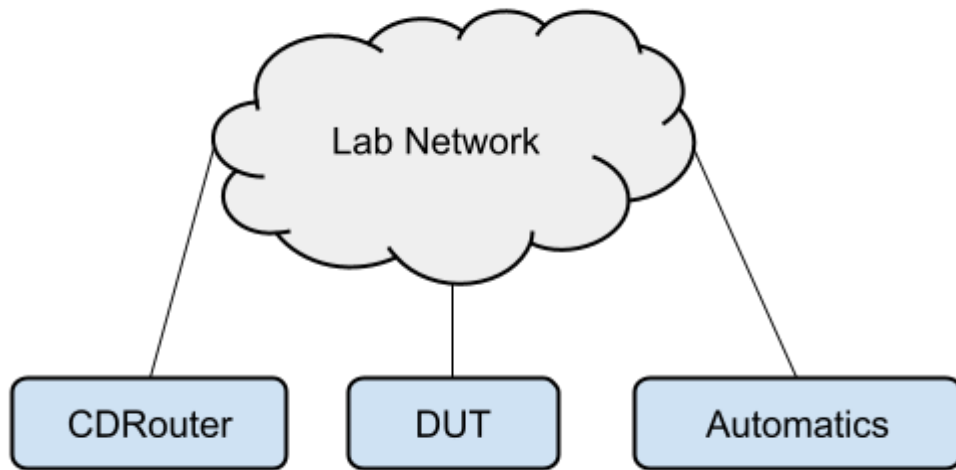


Architecture



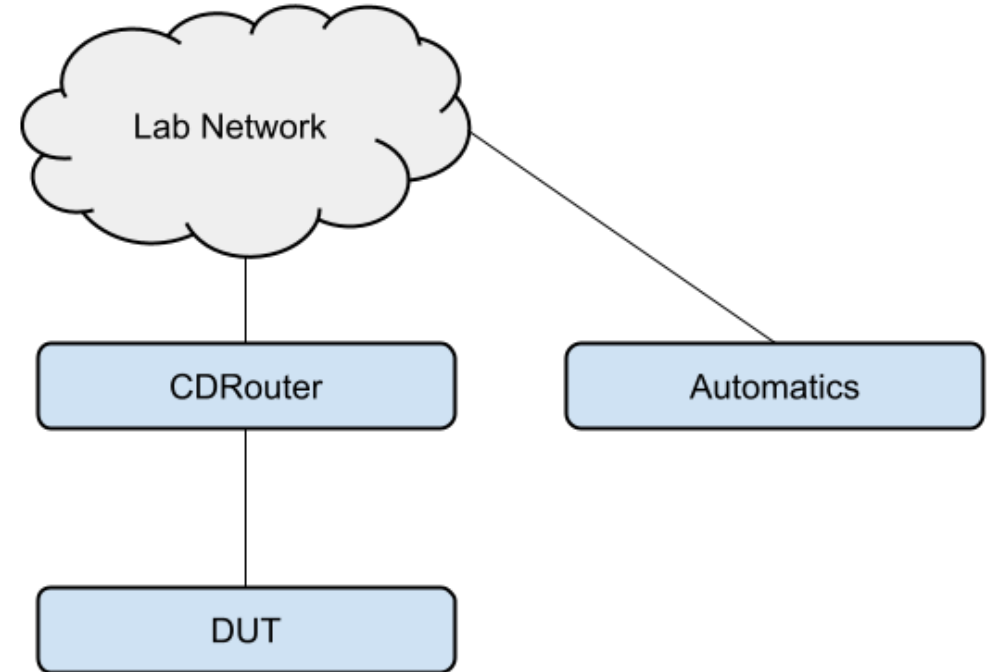
Network Configurations

Topology 1



Automatics, CDRouter, and DUT are all on the lab network.

Topology 2



Automatics and CDRouter management interface on the lab network. DUT connected to CD Router in a closed loop.



CDRouter Execution from Automatics Demo

Advantages

- Single platform for Automatics and CD Router test scripts
 - Selection
 - Execution
 - Monitor
 - Result Analysis
- Easy integration with CI/CD pipeline

References

- Repository Details
 - CDRouter Service - <https://code.rdkcentral.com/r/admin/repos/rdk/tools/cdrouter-service>
- References
 - Integrate CDRouter support on Automatics system – <https://wiki.rdkcentral.com/display/ASP/Automatics+CDRouter+Integration>
 - More details on Automatics - <https://wiki.rdkcentral.com/display/ASP/Automatics+Collaboration>



Q&A



Thank You