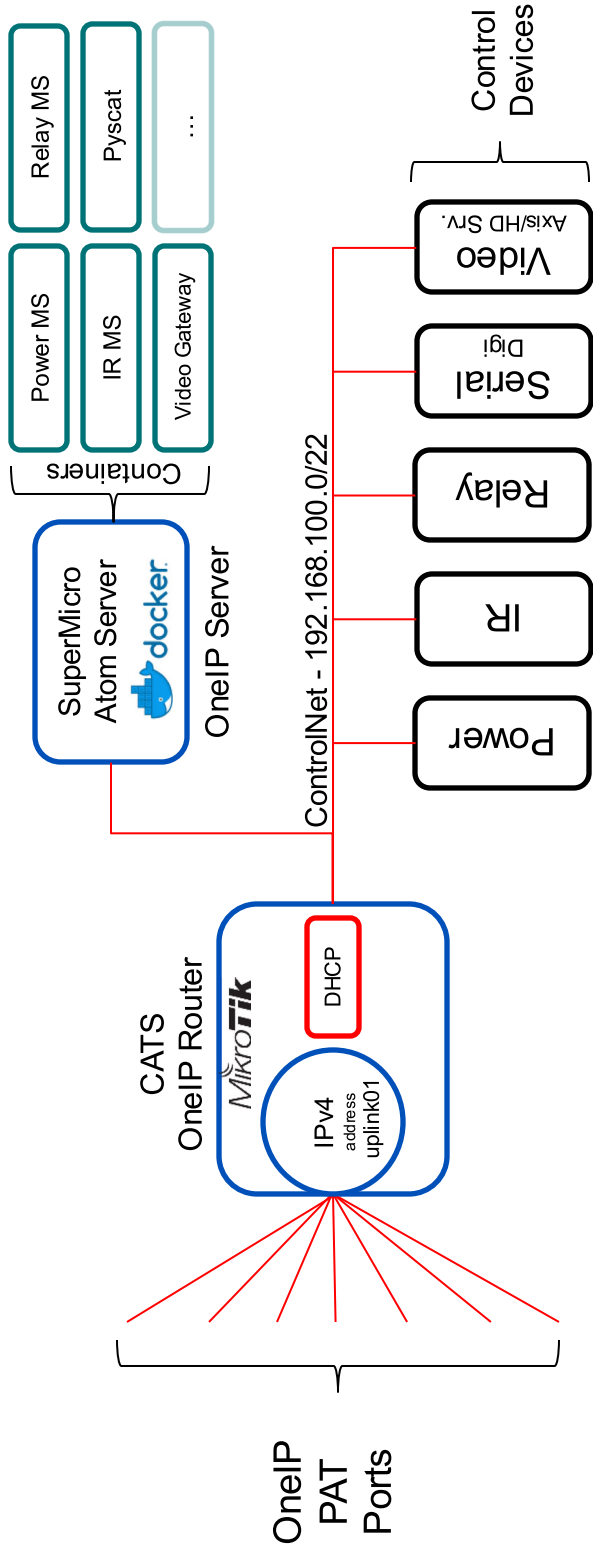


CATS OneIP Fundamentals – Networking



- Rack has just one(1) external IP address – hence the name OneIP
- PAT - services and devices are port address translated (PAT) out
 - (External IP + TCP port) *maps to* (Internal IP + TCP port)
 - Mappings for Docker services & Control Devices
- Internal IP assignment via DHCP and per template
- External IP assignment either static or via DHCP